

# GASER

MACHINERY FOR THE  
FOOD INDUSTRY

## SK-8000 AUTOMATIC SKEWER MACHINE



Fully automatic Machine to produce skewers and brochettes (high production). Different skewer lengths may be used, no need to change mould.



- **PRODUCTION:** High production skewer machine, fully autonomous, with speed regulator, produces between 600 and 1600 skewers / per hour.
- **VERSATILITY / PRECISION:** Versatility means possibility to use dices from 22 to 32 mm with the same mould and alternate different products. This machine has a high degree of precision in dosing the skewer as well as inserting it in the product.
- **PRODUCT QUALITY:** Maximum quality product, handcrafted appearance. Only use wooden skewers.
- **SECURITY:** This skewer machine has 5 active security elements, 2 emergency stop buttons, flip-top lids with security sensors and polycarbonate protection with entrapment sensor.
- **CLEANING:** This machine has an automatic cleaning through a sprinkler System in order to make it easier to efficiently clean when product colour changing.

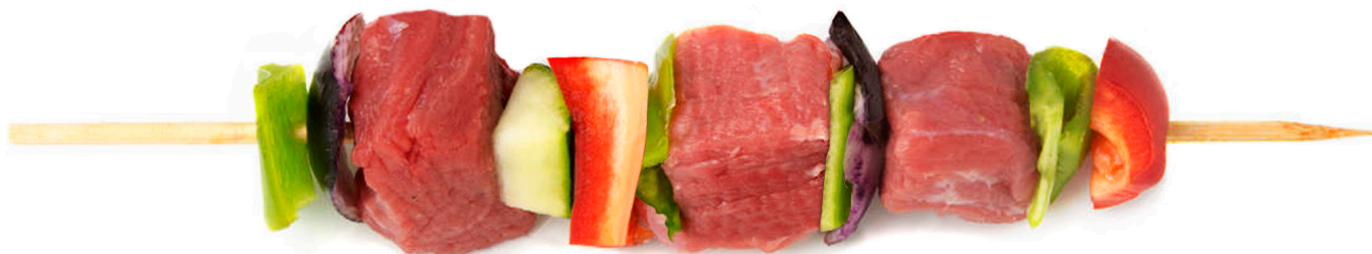
### PRODUCTS SUITABLE FOR SKEWERS AND BROCHETTES

MEAT: Beef, pork, chicken, turkey, lamb, horse...

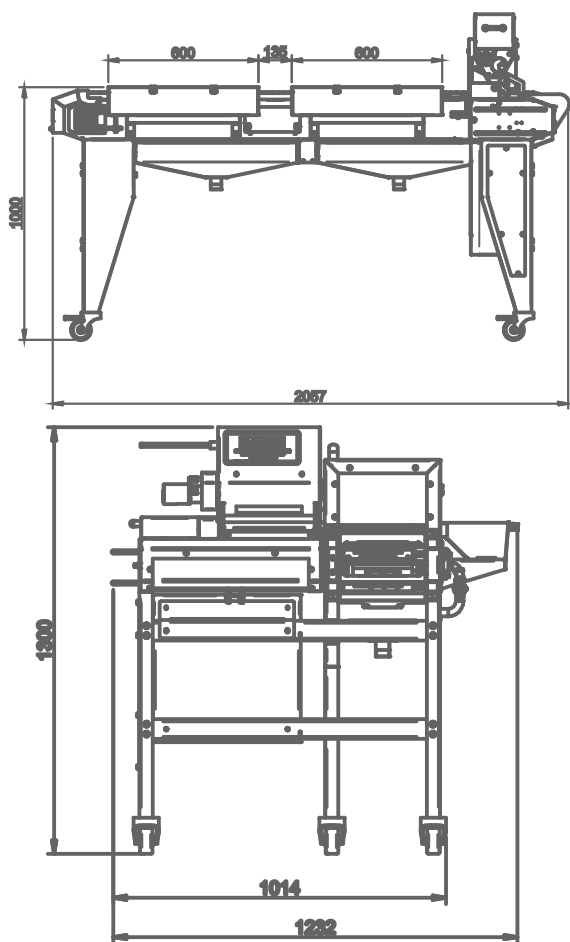
FISH: Salmon, tuna, hake, monkfish...

VEGETABLES: Peppers, mushrooms, artichoke, tomato, onion, zucchini...

FRUIT: Banana, orange, kiwi-fruit, strawberries, apple, pear, melon, mango, ananas, grapes...



### MACHINERY FOR THE FOOD INDUSTRY



- Made of high-quality stainless steel.
- Pneumatic operation at 6 bars (kg/cm<sup>2</sup>).
- Air consumption: 20 litres/minute.
- Electric current IPH, 230V, 50/60Hz 0.4 kW
- Pneumatic operation at 6 bars (kg/cm<sup>2</sup>)
- Acoustic pressure under 60dB (A)
- Dimensions: 2,100 × 1,130 × 1,320 mm
- Weight: 175 Kg

#### TIPOS DE PALILLOS DISPONIBLES:

PAL36120	∅3,6x120mm (1000uds).
PAL38140	∅3,8x140mm (1000uds).
PAL38150	∅3,8x150mm (1000uds).
PAL38180	∅3,8x180mm (1000uds).
PAL38200	∅3,8x200mm (1000uds).
PAL38245	∅3,8x245mm (1000uds).
PAL38300	∅3,8x300mm (1000uds).

#### RELATED MACHINES:

- Skewer Machine, mod. SK5000
- Dicing Machine
- Marinating Vacuum Tumblers

#### AVAILABLE SKEWERS:

- Extra Tray
- Custom moulds